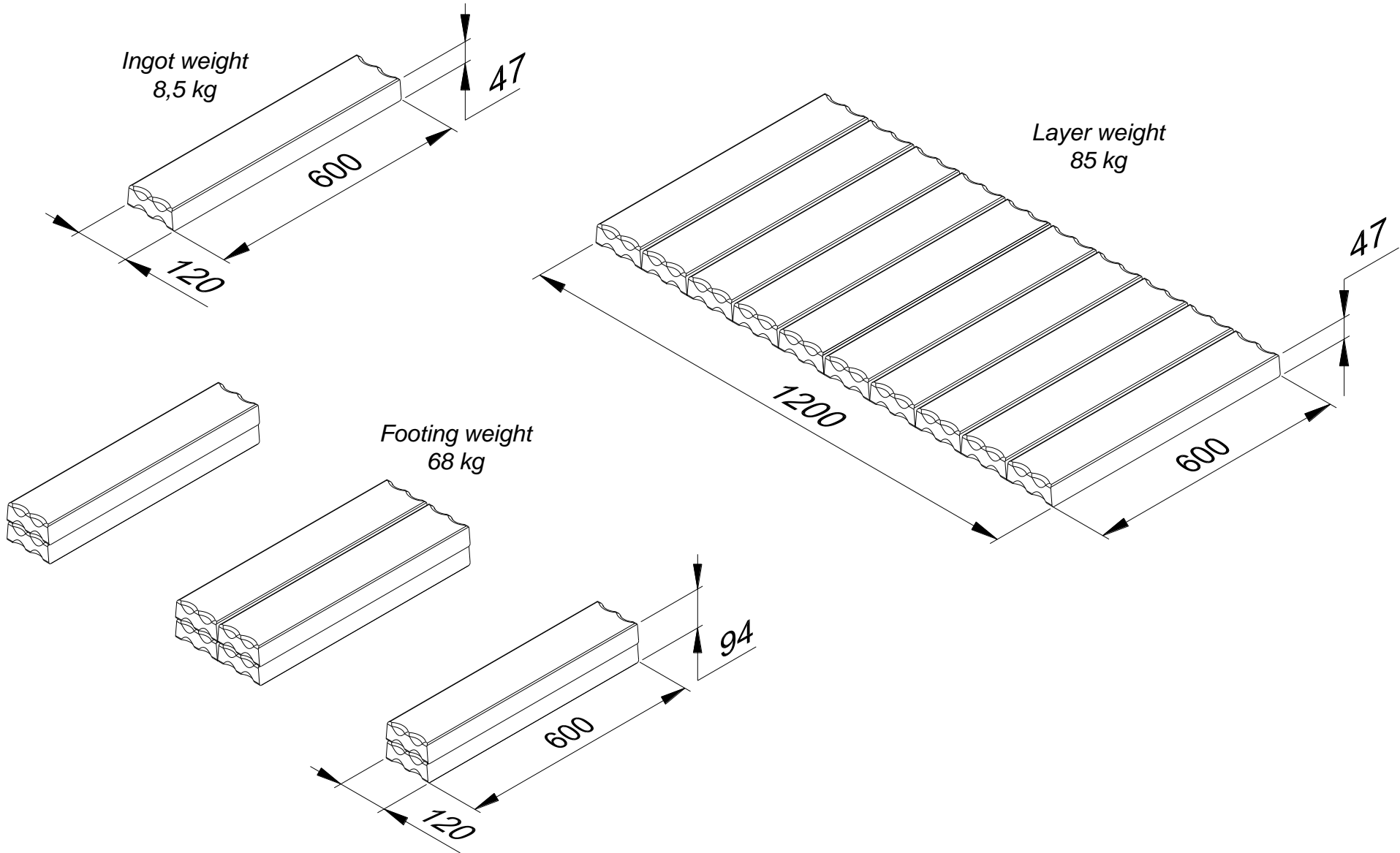


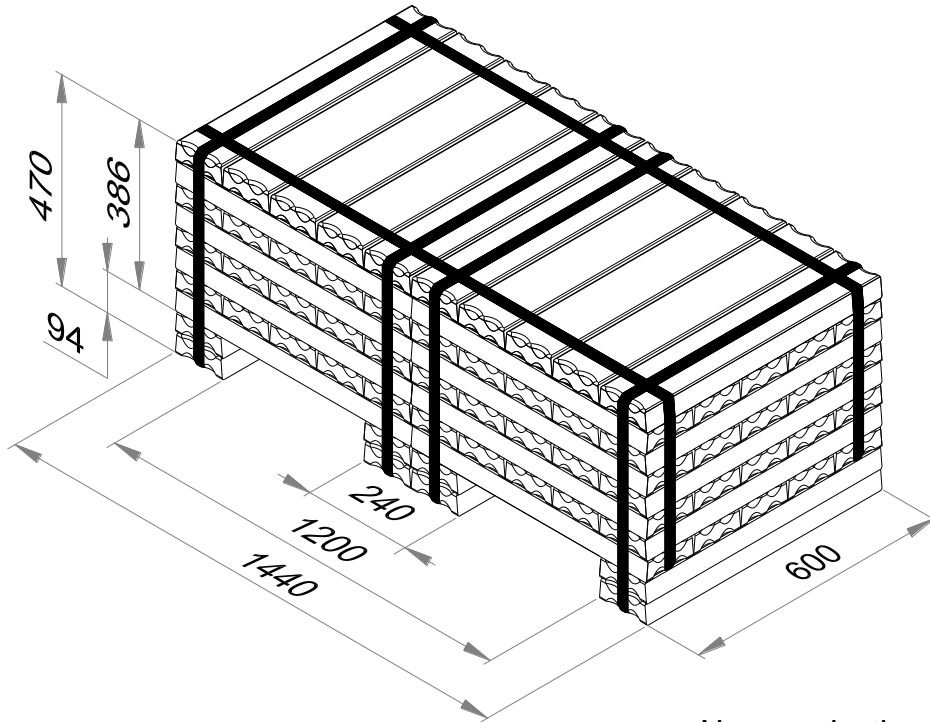
DOUBLE STACK CONFIGURATION FOR INGOT L=600 mm

Stack elements



DOUBLE STACK CONFIGURATION FOR INGOT L=600 mm

Stack example



Footing – 68 kg  
8 layers – 680 kg  
total - 748 kg

*New production line allows stack binding consisting of footing and 17 layers  
Total stack height will be 893mm*

footing – 68 kg  
19 layers – 1615 kg  
total - 1683 kg +/- 20 kg